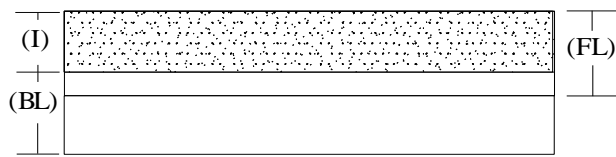


Product Profile Dimensions



PS27 - BlazeFrame "JR" profiles with one short (front) and one long (back) leg

Composite Fire Stop/Framing for use in up to 3 hr rated shaft wall assemblies. Provides 100% unencumbered joint protection accommodating up to 1 1/2" overall movement with level III (seismic) certification. Minimum G40 (20ga) and G60 (18ga and heavier) coating with one leg (front) having intumescent per listed assemblies in UL Fire Resistance Directory.

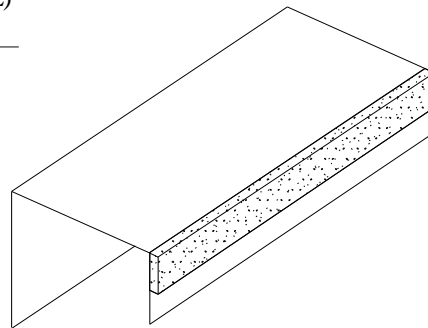


Pat. Pend

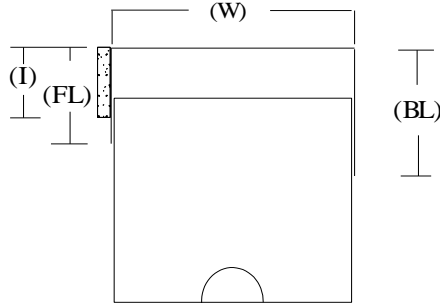
Widths (W)	Gauge
250 (2 1/2")	.030 (20)
400 (4")	.033 (20)
600 (6")	.043 (18)
	.054 (16)

Part Identification
Example: 400JR1 - 30

400
JR1
- 30
 / / /
 Track Width Profile Gauge



JR1 - Series (Fire Stop "short leg")



Profile	Front Leg (FL)	Back Leg (BL)	Strip Width (I)	Joint Protection
JR1	2.00"	3.00"	1.00"	.75"
JRW1	2.00"	3.00"	1.25"	1.00"
JRX1	2.00"	3.00"	1.75"	1.50"

UL, ASTM & Code Standards

UL2079, E814, E1966, ULC S115-M95
 A1003, A653, A924, C645, C754, C955
 AISI 2004 NAS
 2006 & 2009 IBC
 2007 CBC

Leed Points

MR 2.1 & 2.2 - Construction Waste: up to 2pts
 MR 4.1 & 4.2 - Recycled Content: up to 2pts
 MR 5.1 & 5.2 - Regional Proximity
 EQ 4.1 - Low Emitting Materials
 EQ 9 - Enhanced Acoustical

Phone: (425) 869-2811 Fax: (425) 869-2300