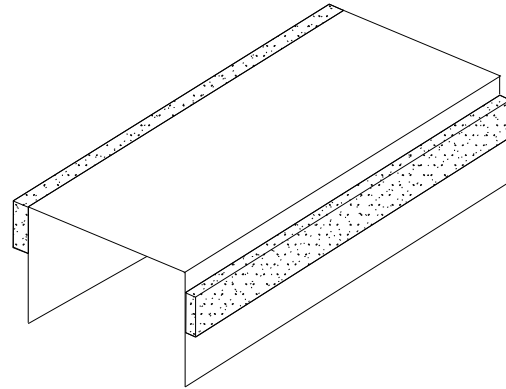
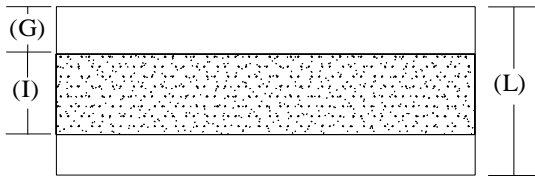


# Product Profiles Dimensions

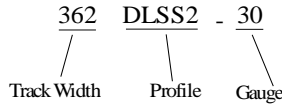


## PS3 - BlazeFrame "DLSS" (Stair Shaft) profile two solid legs fire stop offset

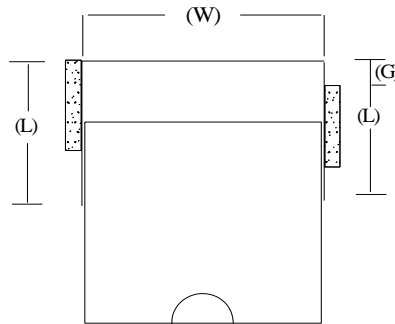
Composite Fire Stop/Framing for use in up to 2 hr rated wall assemblies. Provides 100% unencumbered joint protection accommodates up to 3" overall movement with level III (seismic) certification. Minimum G40 (20ga) and G60 (18ga and heavier) coating with two solid legs for support of "free floating" studs. Fire stop located 1/2" down on "stair shaft" side to allow for attachment of gypsum board from upper floor.



Widths (W)	Gauge	Part Identification
362 (3 5/8")	.030 (20)	Example: 362DLSS2-30
400 (4")	.033 (20)	
600 (6")	.043 (18)	
800 (8")	.054 (16)	



DLSS2 - Series (Fire Stop Both Sides "Offset")



Profile	Leg Length (L)	Strip Width (I)	Gap Distance (G)	Joint Protection
DLSS	2.50"	1.00"	.50"	.75"
DLSSW	2.50"	1.25"	.50"	1.00"
DLSSX	3.00"	1.75"	.50"	1.50"
DLSSZ	3.50"	2.25"	.50"	2.00"
DLSSY	4.00"	3.25"	.50"	3.00"

**UL, ASTM & Code Standards**

UL2079, E814, E1966, ULC S115-M95  
 A1003, A653, A924, C645, C754, C955  
 AISI 2004 NAS  
 2006 & 2009 IBC  
 2007 CBC

**Leed Points**

MR 2.1 & 2.2 - Construction Waste: up to 2pts  
 MR 4.1 & 4.2 - Recycled Content: up to 2 pts  
 MR 5.1 & 5.2 - Regional Proximity  
 EQ 4.1 - Low Emitting Materials  
 EQ 9 - Enhanced Acoustical

Phone: (425) 869-2811 Fax: (425) 869-2300