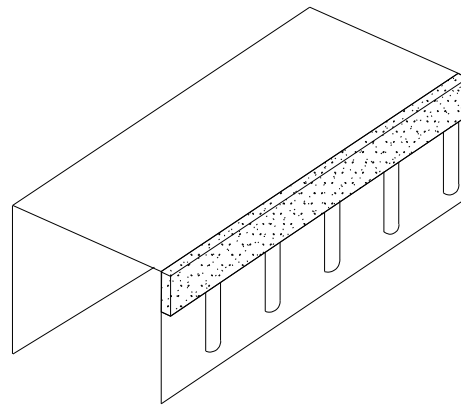
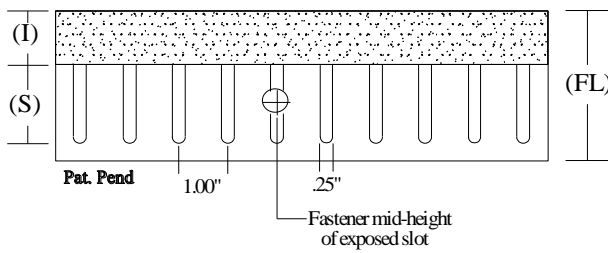


# Product Profile Dimensions



## PS31 - BlazeFrame "SS" Slotted Shaft with one slotted (front) and solid (back) leg

Composite Fire Stop/Framing for use in up to 3 hr rated shaft wall assemblies. Provides 100% unencumbered joint protection accommodating up to 1 1/2" overall movement with level III (seismic) certification. Minimum G40 (20ga) and G60 (18ga and heavier) coating with one leg (front) with intumescent fire stop per listed assemblies in UL Fire Resistance Directory.

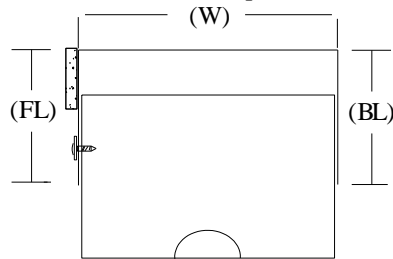


Widths (W)	Mil (Ga)
250 (2 1/2")	.030 (20)
400 (4")	.033 (20)
600 (6")	.043 (18)
	.054 (16)

Part Identification  
 Example: 400SS1-30

400	SS	1	-	30
Track Width	Profile	Series		Gauge

1 - Series (Fire Stop One Side)



Profile	Front Leg (Slotted) (FL)	Back Leg (Solid) (BL)	Strip Width (I)	Slot Height (S)	Joint Protection
SS	3.00"	3.00"	1.00"	1.50"	.75"
SSW	3.00"	3.00"	1.25"	1.50"	1.00"
SSX	4.00"	3.00"	1.75"	2.00"	1.50"

### UL, ASTM & Code Standards

UL2079, E814, E1966, ULC S115-M95  
 A1003, A653, A924, C645, C754, C955  
 AISI 2004 NAS  
 2006 & 2009 IBC  
 2007 CBC

### Leed Points

MR 2.1 & 2.2 - Construction Waste: up to 2pts  
 MR 4.1 & 4.2 - Recycled Content: up to 2 pts  
 MR 5.1 & 5.2 - Regional Proximity  
 EQ 4.1 - Low Emitting Materials  
 EQ 9 - Enhanced Acoustical

Phone: (425) 869-2811 Fax: (425) 869-2300