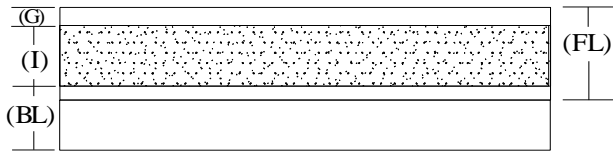


# Product Profile Dimensions

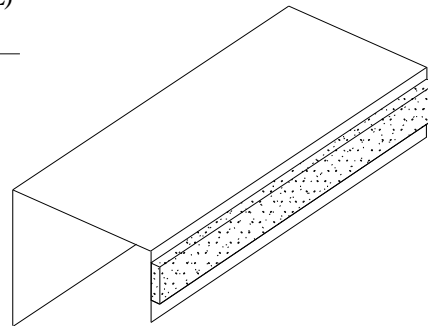


## PS32 - BlazeFrame "JRCD" J-Runner Coated Deck intumescent 1/2" down

Composite Fire Stop/Framing for use in up to 3 hr rated shaft wall assemblies. Provides 100% joint protection accommodating up to 1 1/2" overall movement with level III (seismic) certification. Minimum G40 (20ga) and G60 (18ga and heavier) coating with one leg (front) having intumescent fire stop per listed assemblies in UL Fire Resistance Directory.



Pat. Pend

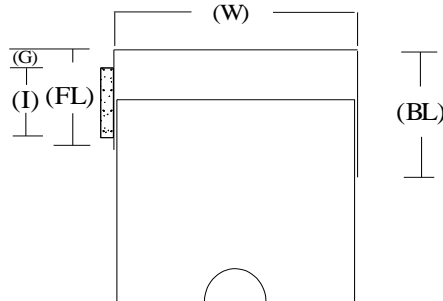


Widths (W)	Mil (Ga)
250 (2 1/2")	.030 (20)
400 (4")	.033 (20)
600 (6")	.043 (18)
	.054 (16)

**Part Identification**  
 Example: 40JRCD1 - 30  
400 JRCD1 - 30

/                    /                    /  
 Track Width    Profile            Gauge

1 - Series (Fire Stop "short leg")



Profile	Gap (G)	Front Leg (FL)	Back Leg (BL)	Strip Width (I)	Joint Protection
JRCD	.50"	2.00"	3.00"	1.00"	.75"
JRWCD	.50"	2.00"	3.00"	1.25"	1.00"
JRXCD	.50"	2.50"	3.00"	1.75"	1.50"

**UL, ASTM & Code Standards**

UL2079, E814, E1966, ULC S115-M95  
 A1003, A653, A924, C645, C754, C955  
 AISI 2004 NAS  
 2006 & 2009 IBC  
 2007 CBC

**Leed Points**

MR 2.1 & 2.2 - Construction Waste: up to 2pts  
 MR 4.1 & 4.2 - Recycled Content: up to 2 pts  
 MR 5.1 & 5.2 - Regional Proximity  
 EQ 4.1 - Low Emitting Materials  
 EQ 9 - Enhanced Acoustical

Phone: (425) 869-2811 Fax: (425) 869-2300