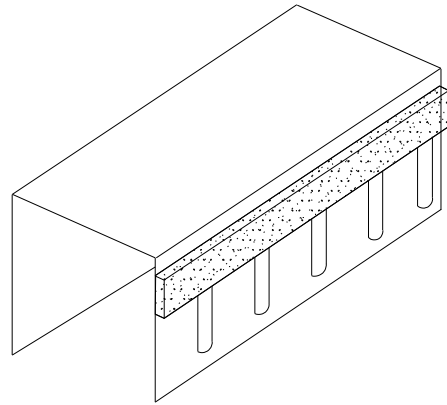
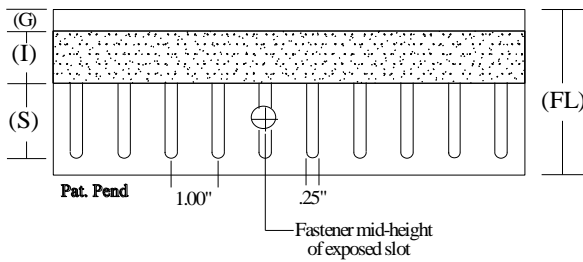


Product Profile Dimensions



BlazeFrame "SSCD" Slotted Shaft Coated Deck Profiles intumescent 1/2" down

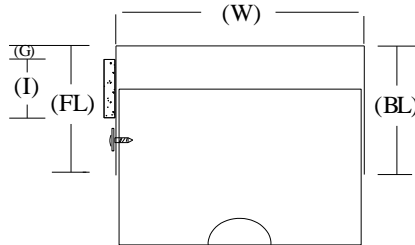
Composite Fire Stop/Vertical Deflection Profile for use in up to 3 hr rated shaft wall assemblies providing 100% joint protection and movement up to 1 1/2" with level III (seismic) certification. Minimum G40 (20ga) and G60 (18ga and heavier) coating with one solid and one slotted leg with front slotted leg having intumescent located 1/2" down leg to accommodate fire fireproofing .



Widths (W)	Mil (Ga)	Part Identification
250 (2 1/2")	.030 (20)	Example: 400SSCD1 - 30
400 (4")	.033 (20)	
600 (6")	.043 (18)	
	.054 (16)	

400	SSCD	1	-	30
Track Width	Profile	Series		Gauge

1 - Series (Fire Stop One Side)



Profile	Gap (G)	Front Leg (Slotted) (FL)	Back Leg (Solid) (BL)	Strip Width (I)	Slot Height (S)	Joint Protection
SS	.50"	3.00"	3.00"	1.00"	1.50"	.75"
SSW	.50"	3.00"	3.00"	1.25"	1.50"	1.00"
SSX	.50"	4.00"	3.00"	1.75"	2.00"	1.50"

UL, ASTM & Code Standards

UL2079, E814, E1966, ULC S115-M95
 A1003, A653, A924, C645, C754, C955
 AISI 2004 NAS
 2006 & 2009 IBC
 2007 CBC

Leed Points

MR 2.1 & 2.2 - Construction Waste: up to 2pts
 MR 4.1 & 4.2 - Recycled Content: up to 2 pts
 MR 5.1 & 5.2 - Regional Proximity
 EQ 4.1 - Low Emitting Materials
 EQ 9 - Enhanced Acoustical

Phone: (425) 869-2811 Fax: (425) 869-2300