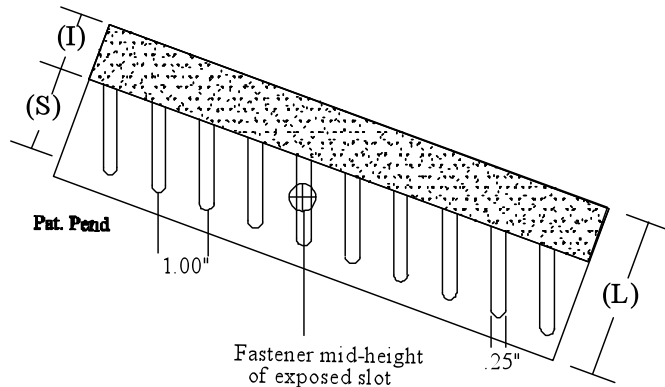


**“DSLSP” (Slot Pitched) Profiles Slotted Legs Slots Match Roof Pitch**

Composite Fire Stop/Vertical Deflection Profile for use in up to 2 hr rated wall assemblies provide 100% unencumbered joint protection and dynamic movement up to 2” with level III (seismic) based on UL certification of similar profiles. Profile sections are fabricated from hot-dipped galvanized steel complying with ASTM A653 with a minimum G40 coating. Slots formed in relation to pitch or slope of overhead substrate with slots vertical.



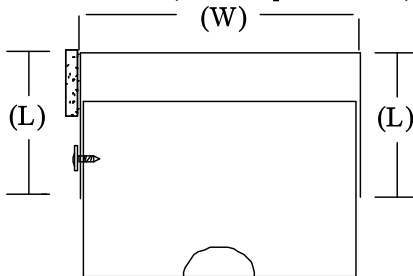
Slots positioned vertical in relation to pitch of slope

**Part Identification**

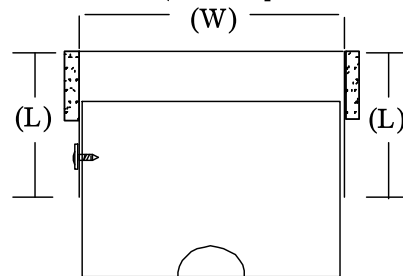
Example: 600DSLSP2-612-30

600 DSLSP 2 - 612 - 30  
 Track Width Profile Series Pitch Gauge

1 - Series (Fire Stop One Side)



2 - Series (Fire Stop Both Sides)



Profile	Leg Length (L)	Strip Width (I)	Slot Height (S)	Joint Protection
DSLSP	3.00"	1.00"	1.50"	.75"
DSLWSP	3.00"	1.25"	1.50"	1.00"
DSLXSP	4.00"	1.75"	2.00"	1.50"