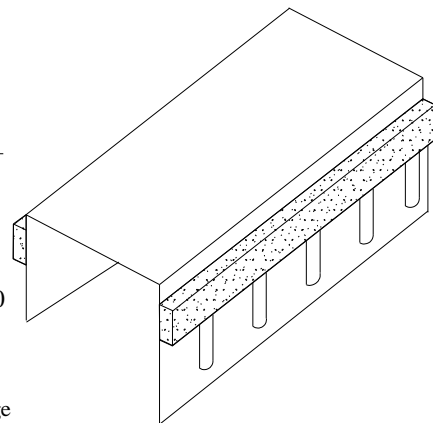
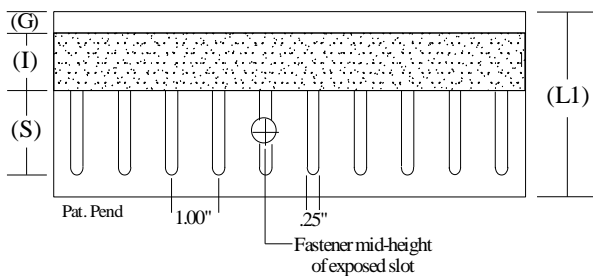


Product Profile Dimensions



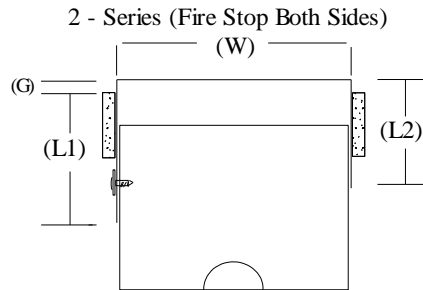
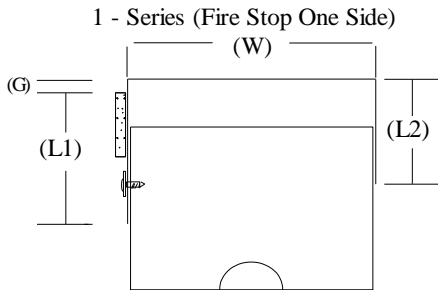
PS5 - "SL-CD" (Coated Deck) Profiles one slotted, one solid leg, and 1/2" gap

Composite Fire Stop/Framing for use in up to 2 hr rated wall assemblies Provides 100% unencumbered joint protection accommodates up to 1 1/2" overall movement with level III (seismic) certification. Minimum G40 (20ga) and G60 (18ga and heavier) coating one leg with slots spaced 1" O/C for permanent attachment of studs per listed assemblies in UL Fire Resistance Directory. Fire Stop located 1/2" down accommodating up to 1/2" spray fire proofing.



Widths (W)	Mil (Ga)
250 (2 1/2")	.030 (20)
362 (3 5/8")	.033 (20)
400 (4")	.043 (18)
600 (6")	.054 (16)
800 (8")	.068 (14)

Part Identification
 Example: 362SLCD2 - 30
 362 SLCD 2 - 30
 Track Width Profile Series Gauge



Profile	Gap	Slotted Leg Length	Solid Leg Length	Strip Width	Slot Height	Joint Protection
	(G)	(L1)	(L2)	(I)	(S)	
SLCD	.50"	3.00"	2.00"	1.00"	1.50"	.75"
SLWCD	.50"	3.25"	2.00"	1.25"	1.50"	1.00"
SLXCD	.50"	4.25"	2.50"	1.75"	2.00"	1.50"

UL, ASTM & Code Standards

UL2079, E814, E1966, ULC S115-M95
 A1003, A653, A924, C645, C754, C955
 AISI 2004 NAS
 2006 & 2009 IBC
 2007 CBC

Lead Points

MR 2.1 & 2.2 - Construction Waste: up to 2pts
 MR 4.1 & 4.2 - Recycled Content: up to 2 pts
 MR 5.1 & 5.2 - Regional Proximity
 EQ 4.1 - Low Emitting Materials
 EQ 9 - Enhanced Acoustical

Phone: (425) 869-2811 Fax: (425) 869-2300