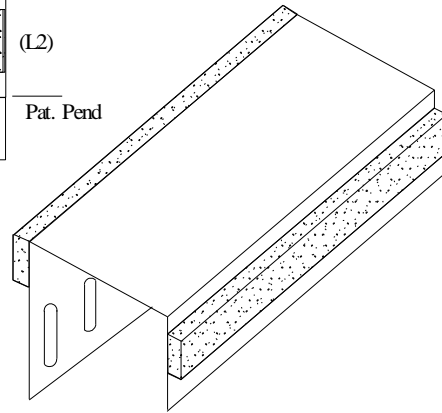
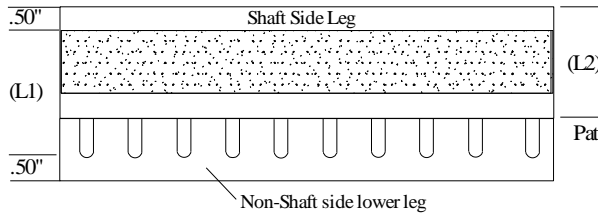


Product Profile Dimensions

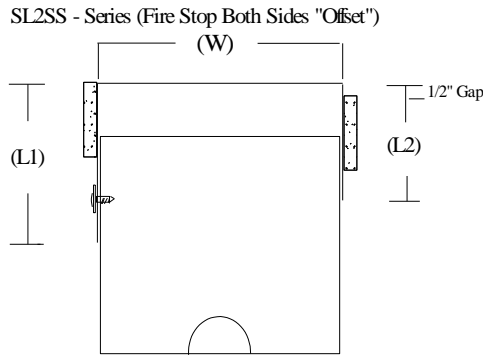


PS6 - BlazeFrame "SLSS" (Stair Shaft) one slotted and one solid leg fire stop offset

Composite Fire Stop/Framing for use in up to 2 hr rated wall assemblies. Provides 100% unencumbered joint protection accommodates up to 1 1/2" overall movement with level III (seismic) certification. Minimum G40 (20ga) and G60 (18ga and heavier) coating with one slotted leg and one solid leg fire stop located 1/2" down on "stair shaft" (solid leg) side.



Widths (W)	Gauge	Part Identification
362 (3 5/8")	.030 (20)	Example: 362SLSS2 - 30
400 (4")	.033 (20)	
600 (6")	.043 (18)	362 SLSS2 - 30
800 (8")	.054 (16)	Track Width Profile Gauge



Profile	Slotted Leg Length	Solid Leg Length	Strip Width	Slot Height	Joint Protection
	(L1)	(L2)	(I)	(S)	
SLSS	3.00"	2.00"	1.00"	1.50"	.75"
SLSSW	3.00"	2.50"	1.25"	1.50"	1.00"
SLXSSW	4.00"	3.00"	1.75"	2.00"	1.50"

UL, ASTM & Code Standards

UL2079, E814, E1966, ULC S115-M95
 A1003, A653, A924, C645, C754, C955
 AISI 2004 NAS
 2006 & 2009 IBC
 2007 CBC

Leed Points

MR 2.1 & 2.2 - Construction Waste: up to 2pts
 MR 4.1 & 4.2 - Recycled Content: up to 2 pts
 MR 5.1 & 5.2 - Regional Proximity
 EQ 4.1 - Low Emitting Materials
 EQ 9 - Enhanced Acoustical

Phone: (425) 869-2811 Fax: (425) 869-2300