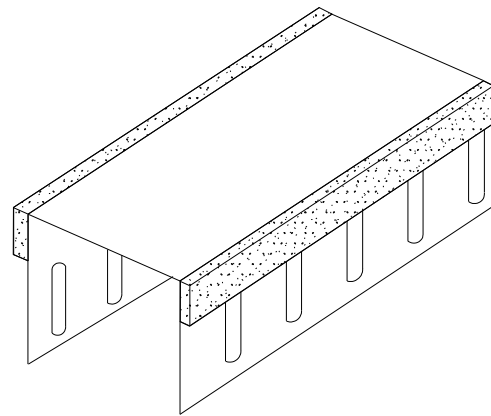
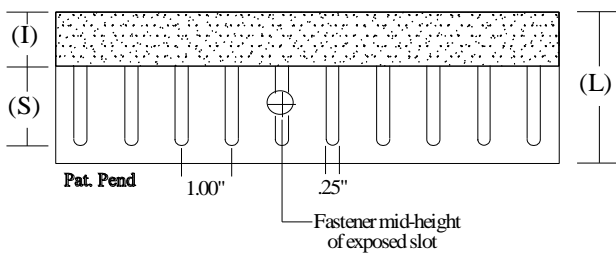


# Product Profile Dimensions



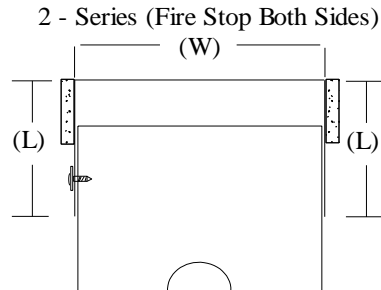
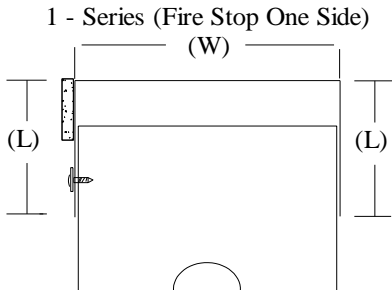
## PS7 - "DSL" (Slotted Both Sides) Profiles with two slotted legs

Composite Fire Stop/Framing for use in up to 2 hr rated wall assemblies. Provides 100% unencumbered joint protection accommodates up to 1 1/2" overall movement with level III (seismic) certification. Minimum G40 (20ga) and G60 (18ga and heavier) coating two legs with slots spaced 1" O/C for permanent attachment of studs per listed assemblies in UL Fire Resistance Directory.



Widths (W)	Mil (Ga)
250 (2 1/2")	.030 (20)
362 (3 5/8")	.033 (20)
400 (4")	.043 (18)
600 (6")	.054 (16)
800 (8")	.068 (14)

Part Identification  
 Example: 362DSL2-30  
 362    DSL    2    -    30  
 Track Width    Profile    Series    Gauge



Profile	Leg Length	Strip Width	Slot Height	Joint Protection
	(L)	(I)	(S)	
DSL	3.00"	1.00"	1.50"	.75"
DSLW	3.00"	1.25"	1.50"	1.00"
DSLX	4.00"	1.75"	2.00"	1.50"

**UL, ASTM & Code Standards**

UL2079, E814, E1966, ULC S115-M95  
 A1003, A653, A924, C645, C754, C955  
 AISI 2004 NAS  
 2006 & 2009 IBC  
 2007 CBC

**Lead Points**

MR 2.1 & 2.2 - Construction Waste: up to 2pts  
 MR 4.1 & 4.2 - Recycled Content: up to 2 pts  
 MR 5.1 & 5.2 - Regional Proximity  
 EQ 4.1 - Low Emitting Materials  
 EQ 9 - Enhanced Acoustical

Phone: (425) 869-2811 Fax: (425) 869-2300