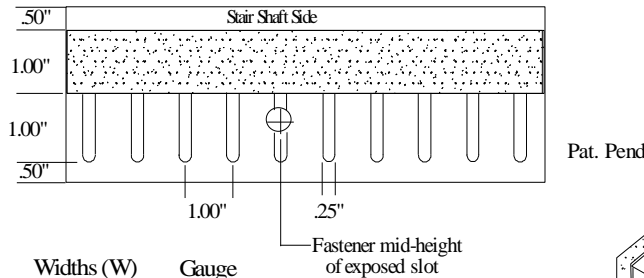


Product Profile Dimensions



PS9 - "DSLSS" (Stair Shaft) profiles two slotted legs and fire stop offset

Composite Fire Stop/Framing for use in up to 2 hr rated wall assemblies. Provides 100% unencumbered joint protection accommodates up to $\frac{3}{4}$ " overall movement with level III (seismic) certification. Minimum G40 (20ga) and G60 (18ga and heavier) coating with two slotted legs for positive attachment fire stop located $\frac{1}{2}$ " down on "stair shaft" side.



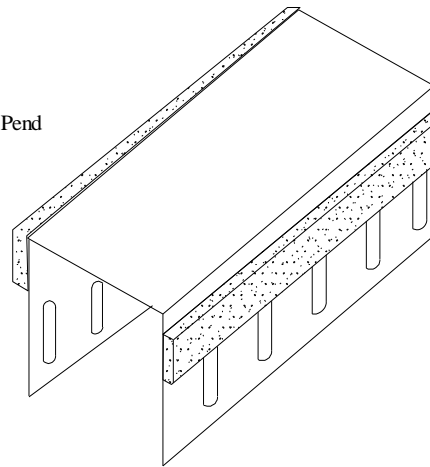
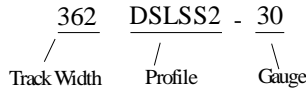
Pat. Pend

Widths (W)	Gauge
362 (3 5/8")	.030 (20)
400 (4")	.033 (20)
600 (6")	.043 (18)
800 (8")	.054 (16)

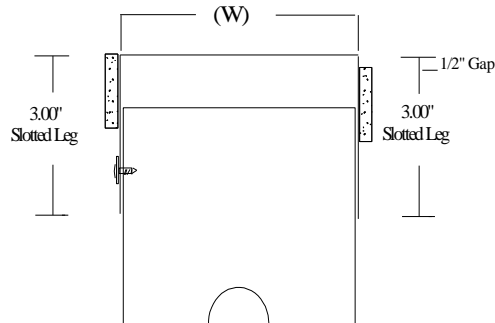
Fastener mid-height of exposed slot

Part Identification

Example: 362DSLSS2-30



DLSSS2 - Series Profile (Fire Stop Both Sides "Offset")



UL, ASTM & Code Standards

UL2079, E814, E1966, ULC S115-M95
 A1003, A653, A924, C645, C754, C955
 AISI 2004 NAS
 2006 & 2009 IBC
 2007 CBC

Lead Points

MR 2.1 & 2.2 - Construction Waste: up to 2pts
 MR 4.1 & 4.2 - Recycled Content: up to 2 pts
 MR 5.1 & 5.2 - Regional Proximity
 EQ 4.1 - Low Emitting Materials
 EQ 9 - Enhanced Acoustical

Phone: (425) 869-2811 Fax: (425) 869-2300