

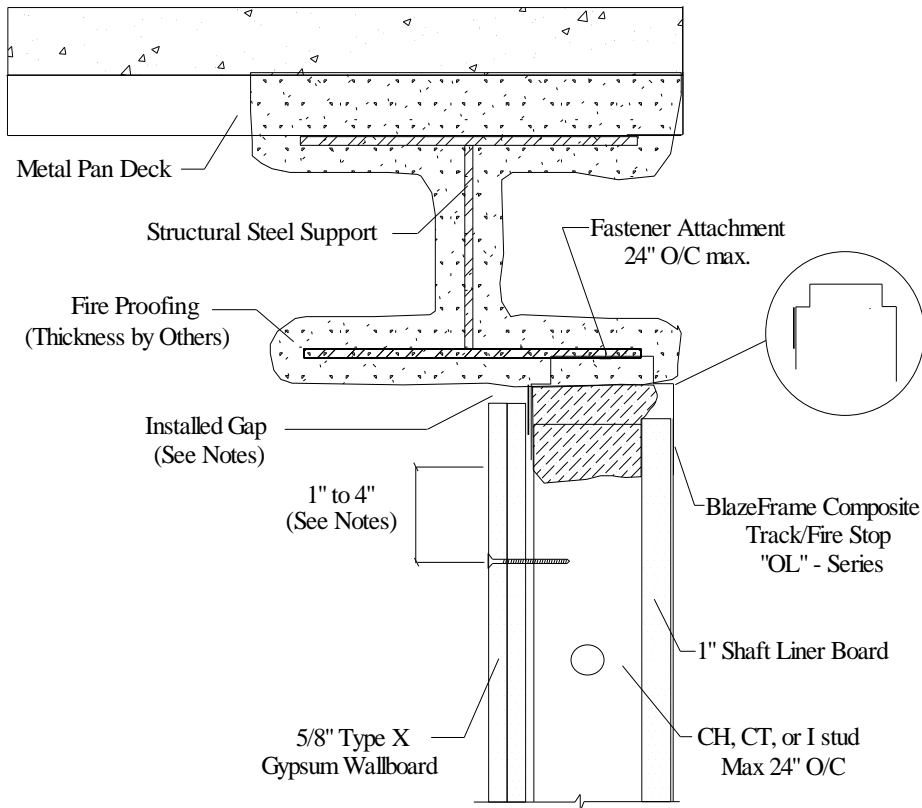
# Structural Support "Beams"



## SS4 - Shaft Wall Align with Beam Edge (Offset Leg Profile)

Joint Movement Capabilities (MC) / Profile Series design refer to UL Listing: [HW-D-0631](#)

- 3/4" MC - (Stock Series)                      1" MC - ("W" Series)  
1 1/2" MC - ("X" Series)                      2" MC - ("Z" Series)



1. Installed Gap (compression only) = movement capability (MC) of profile
2. Installed Gap (compress + extension) = 1/2 movement capability (MC) of profile
3. Attach to substrate with approved fastener max 24" O.C or per E.O.R.
4. Do not screw drywall or stud to BlazeFrame solid leg profile studs "free float"
5. "Slotted" profile metal framing fastener installed center of slot (finished side only)
6. Drywall fasteners 1" to 4" below BlazeFrame to accommodate MC

### UL, ASTM & Code Standards

UL2079, E814, E1966, ULC S115-M95  
A1003, A653, A924, C645, C754, C955  
AISI 2004 NAS  
2006 & 2009 IBC  
2007 CBC

### Leed Points

MR 2.1 & 2.2 - Construction Waste: up to 2 pts  
MR 4.1 & 4.2 - Recycled Content : up to 2 pts  
MR 5.1 & 5.2 - Regional Proximity  
EQ 4.1 - Low Emitting Materials  
EQ 9 - Enhanced Acoustical

Phone: (425) 869-2811 Fax: (425) 869-2300